

Control Option Single Stage with Fan Relay, Three-Phase

Finned Tubular

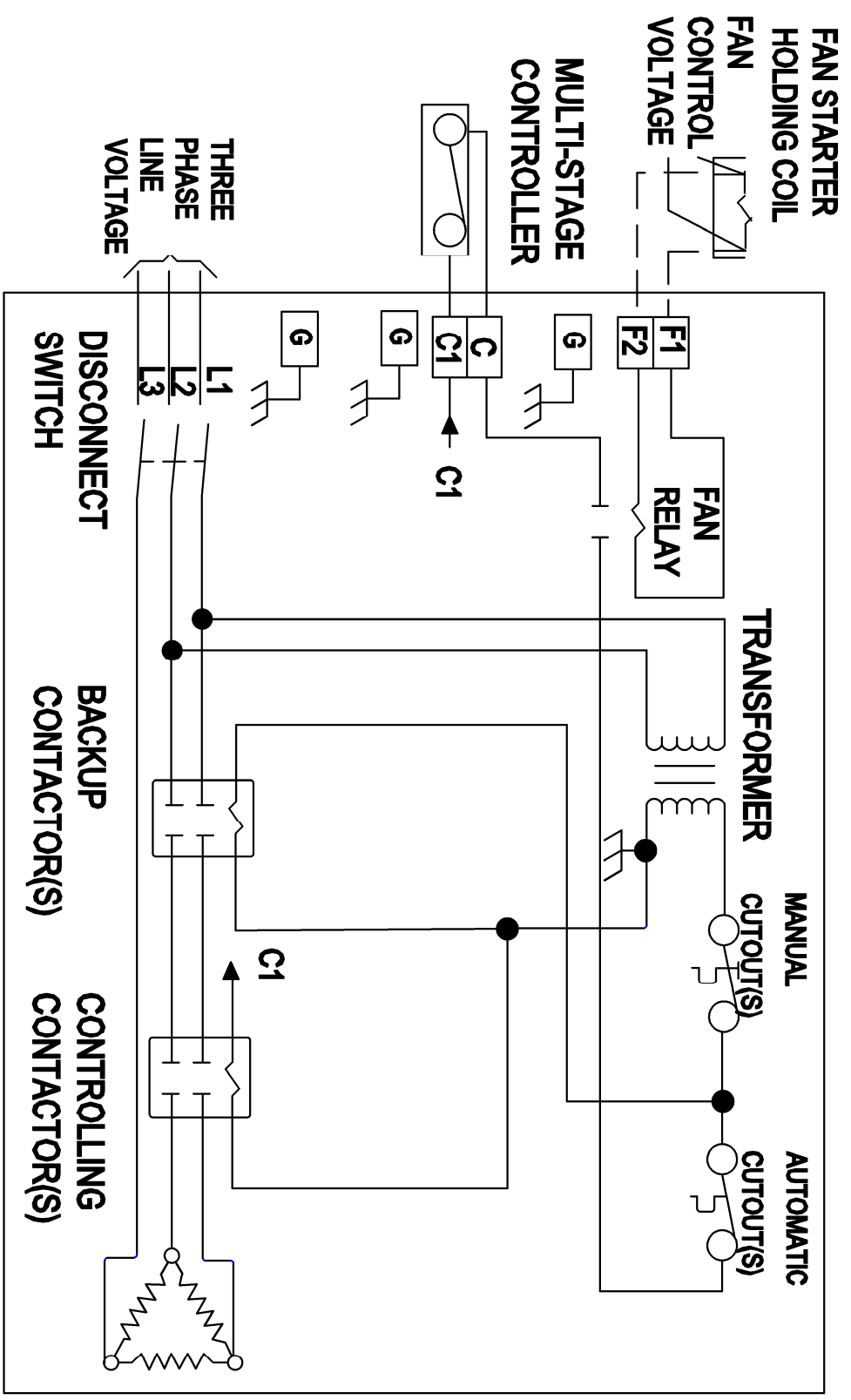


Diagram-4