

# Control Option Single Stage Three-Phase

## Finned Tubular

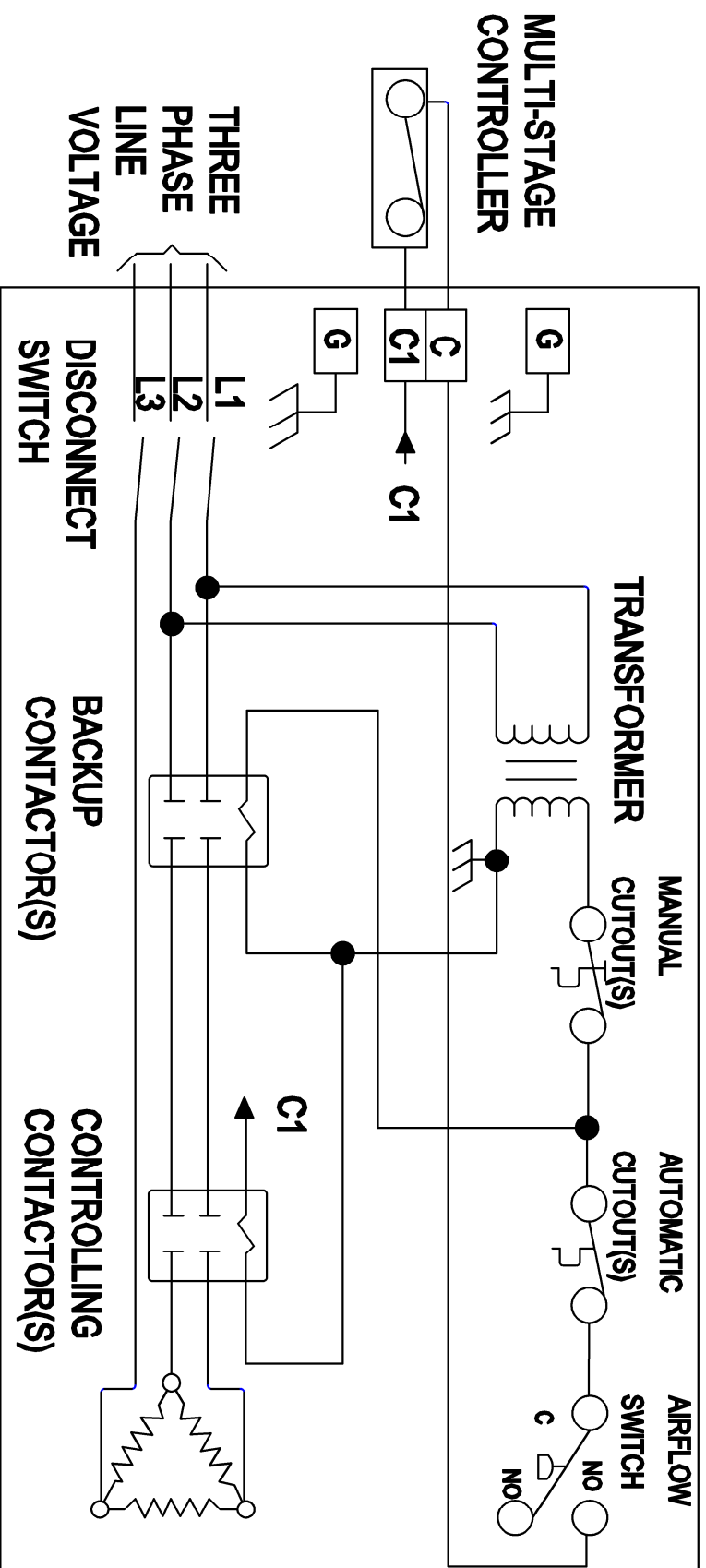


Diagram-2