

# Control Option SCR, Three-Phase

## Open Coil

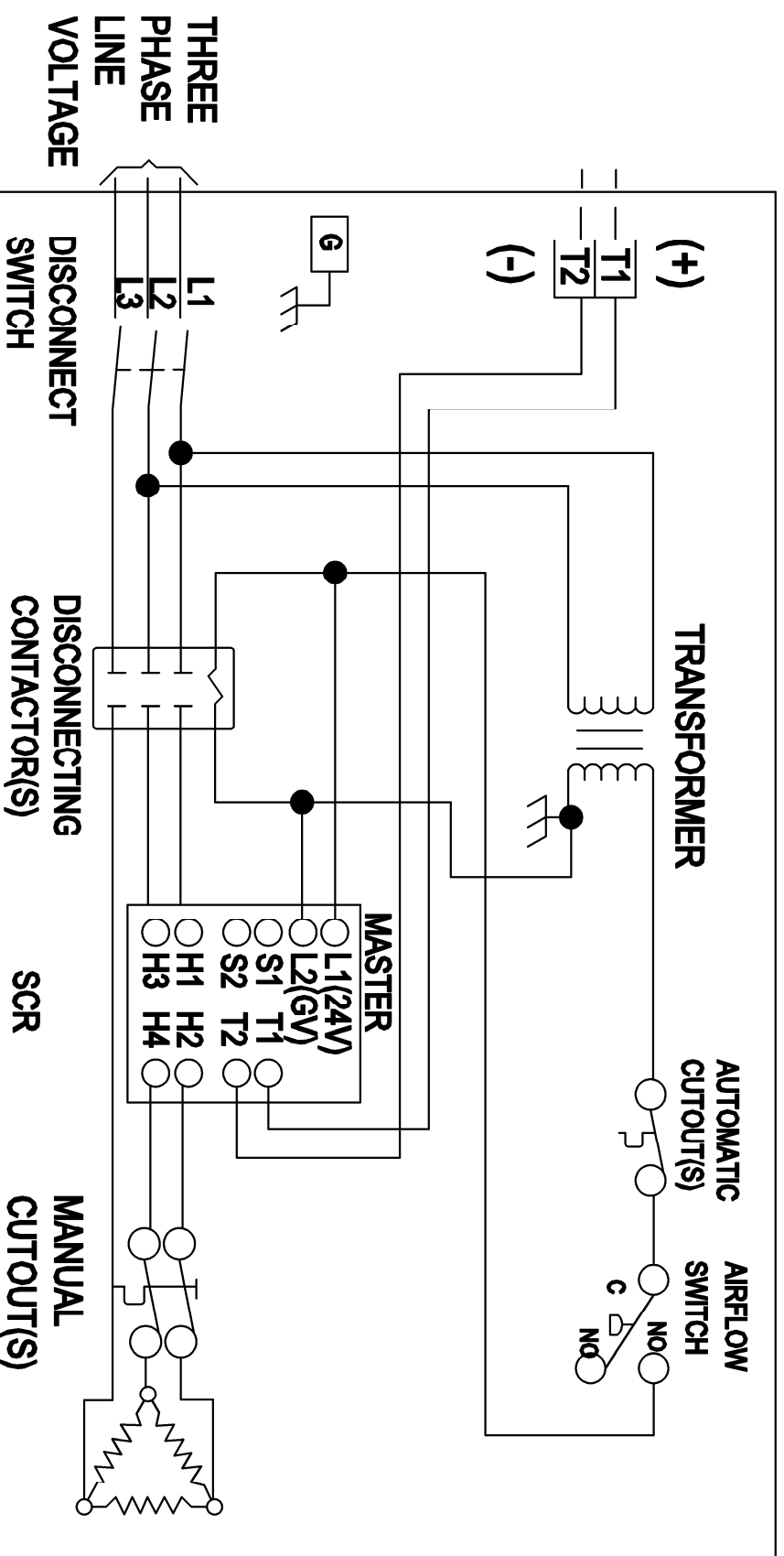


Diagram-9