

Control Option, SCR Control, Three-Phase

Finned Tubular

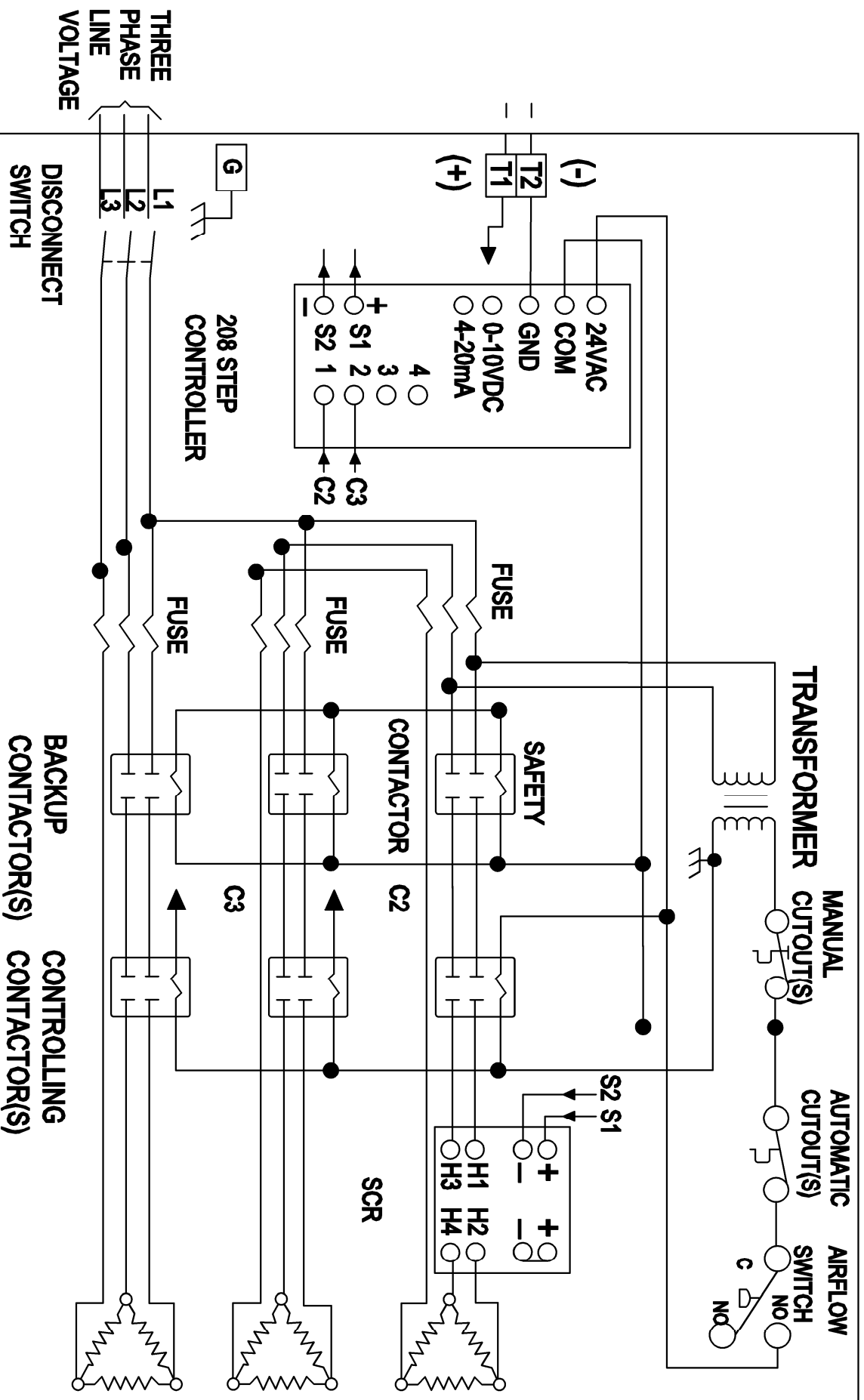


Diagram-14