

# Control Option Multiple Stages with Electronic Step Controller, Three-Phase

## Finned Tubular

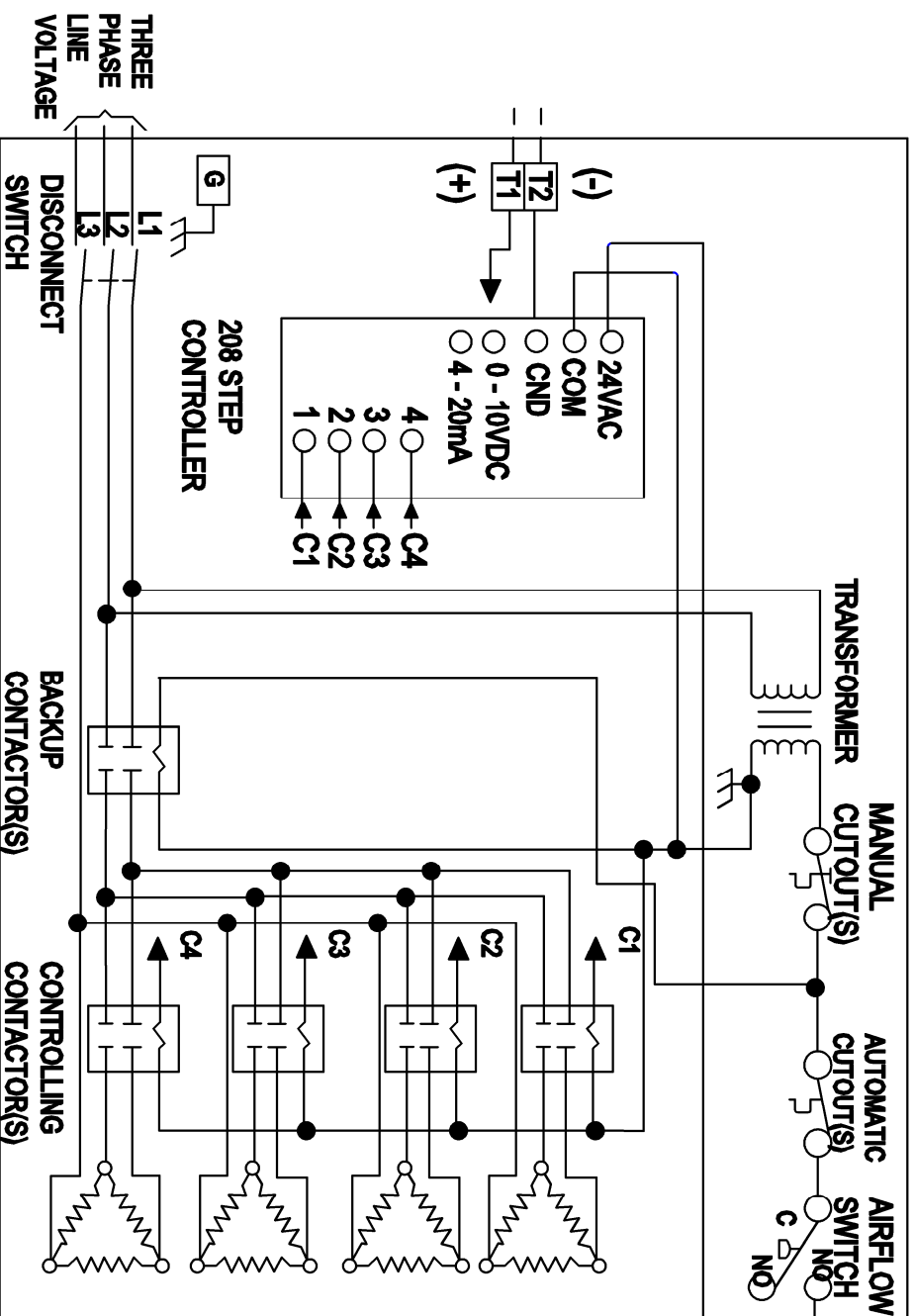


Diagram-8