

Control Option Multiple Stages with Electronic Step Controller, Three-Phase

Open Coil

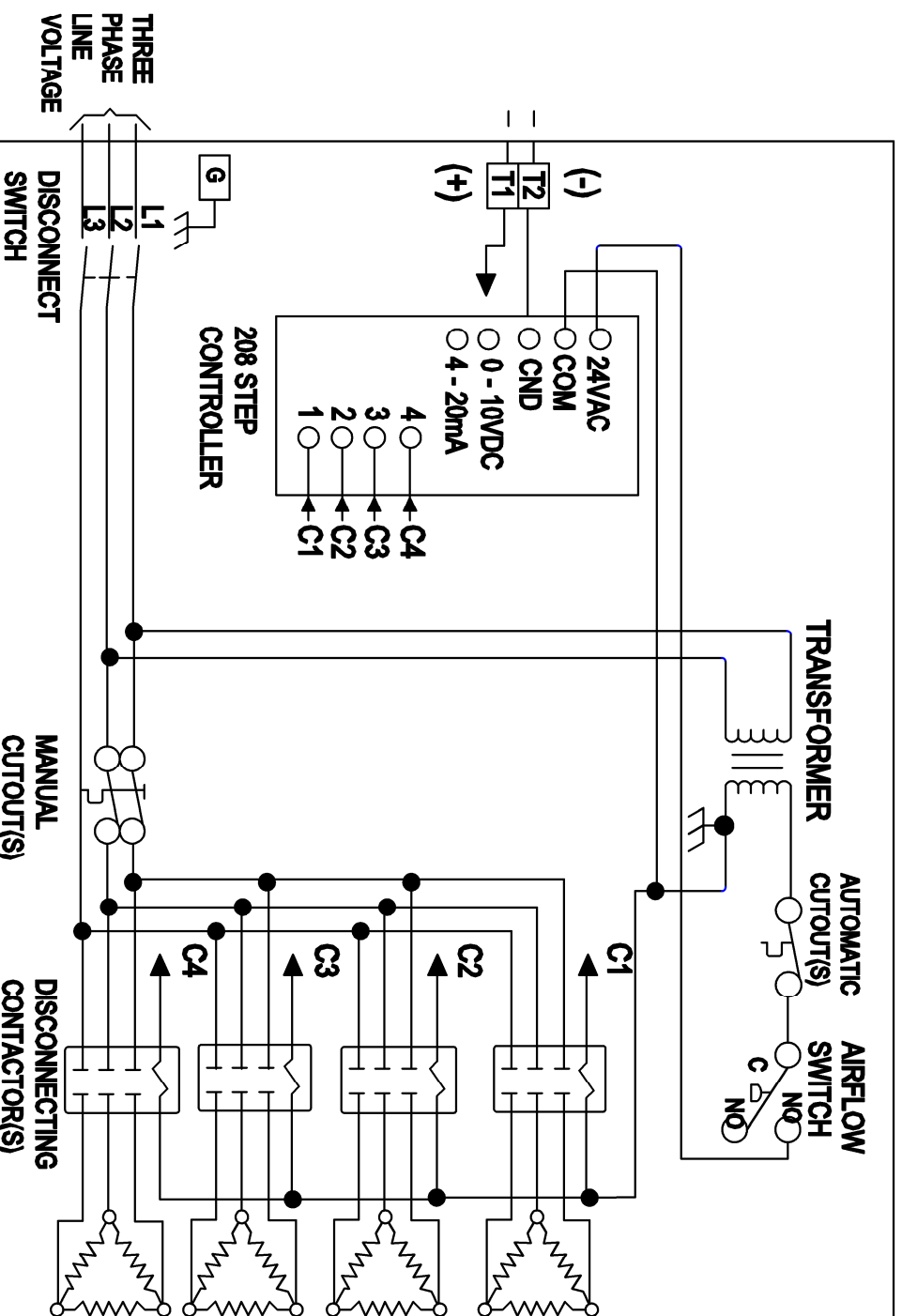


Diagram-7