

Control Option Multiple Stages, Single-Phase

Finned Tubular

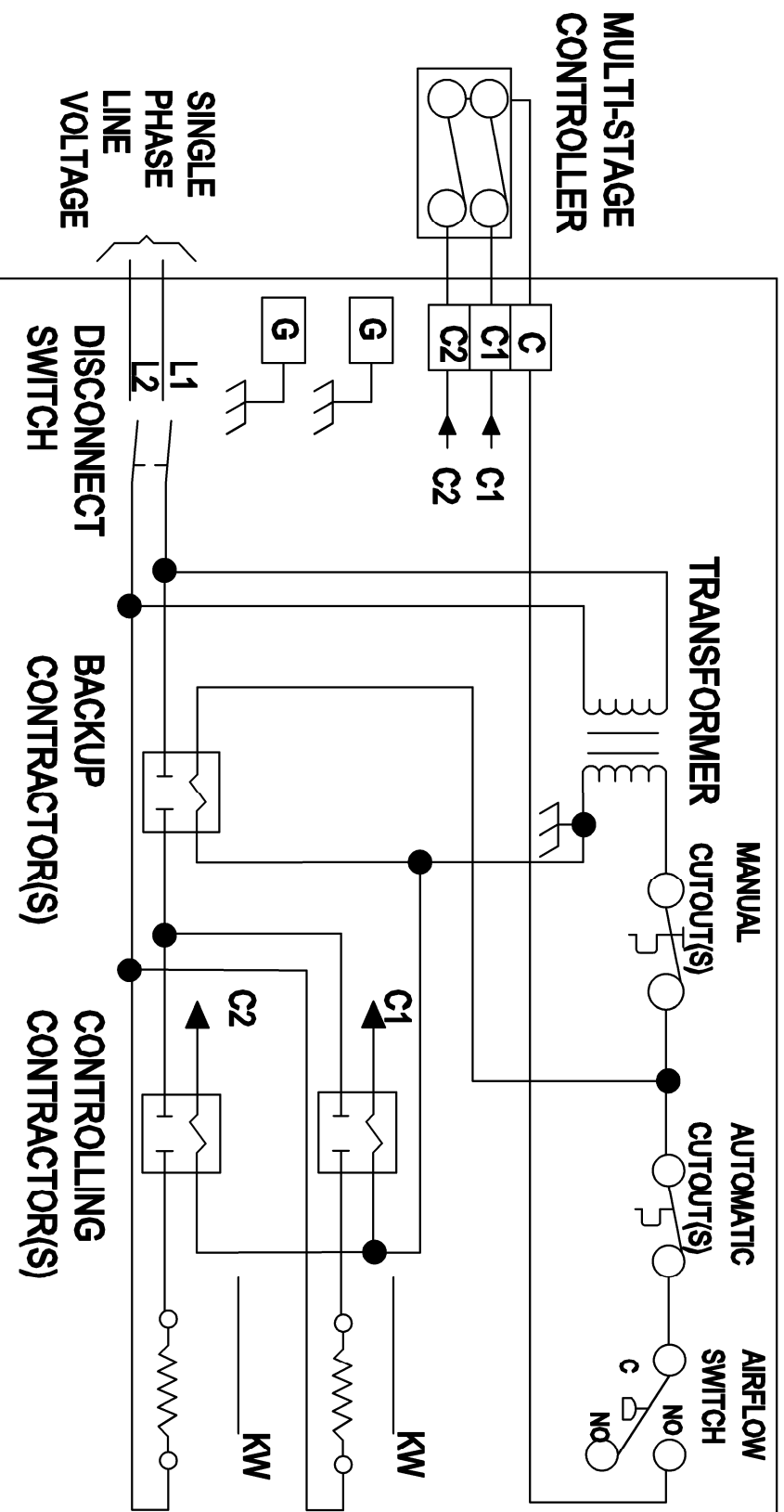


Diagram-6